



a time and place...
for everything

Wi-Sys Communications Inc.

WS2901 Inline Amplifier Series

GPS & L-band RF Gain Blocks



Applications

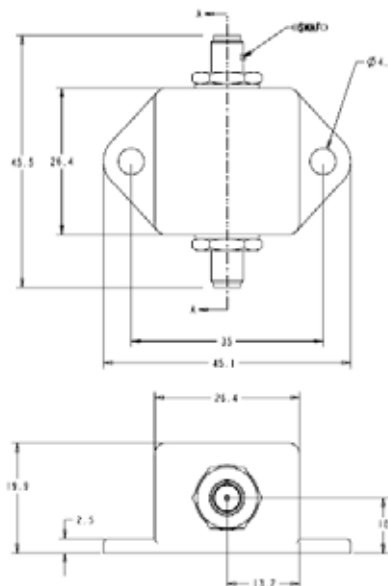
- ◆ GPS and Telematics Systems
- ◆ L-Band Satellite Systems
- ◆ Wireless Telecom Timing and Synchronization
- ◆ Commercial and Industrial Timing and Synchronization

Description

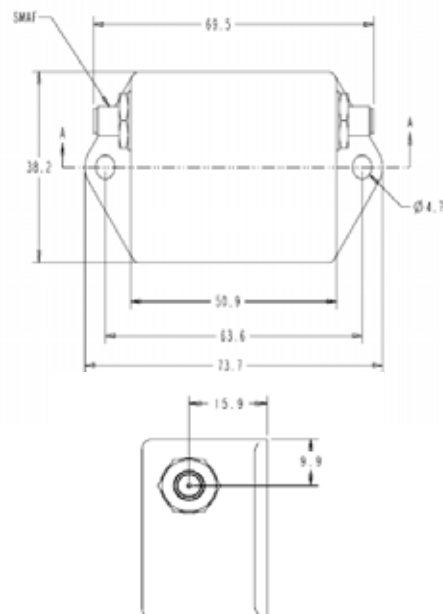
The WS2901 Inline Amplifier series is designed to boost weak L-Band frequency signals including GPS signals, and allows for longer cable lengths between the antenna and the receiver. The low operating current of the WS2901 series puts very little extra loading on the receiver and passes DC to the antenna, therefore not requiring additional hardware such as bias-T and additional power cable.

Dimensions (mm)

WS2901-20



WS2901-40





a time and place...
for everything

Product Specification Matrix

| Model Number | Bandwidth @ 3dB (MHz) | Gain (dB) | Noise Figure (dB) | VSWR 1.52 to 1.62GHz | Current (mA) | | Antenna max load (mA) | Supply Voltage (V) |
|--------------|-----------------------|-----------|-------------------|----------------------|--------------|-----|-----------------------|--------------------|
| | | typ. | typ. | typ. | 3V | 5V | | |
| WS2901-20 | 1100-1900 | 20 | 1.9 | 1.5:1 | 8 | 8.5 | 50 | 3-5 |
| WS2901-40 | 1300-1800 | 40 | 1.9 | 1.5:1 | 16 | 17 | 50 | 3-5 |

Features

- ◆ Low noise
- ◆ Low current draw
- ◆ 50 Ohm port impedance
- ◆ No external power supply required
- ◆ All plastic enclosure
- ◆ Mounting flanges for easy installation
- ◆ Small footprint

Specifications

- ◆ Connectors: 2 x SMA female
- ◆ Mounting holes: 4.65mm dia.
- ◆ Operating Temp -40C to +80C
- ◆ IP60 rating



Wi-Sys Communications Inc.
31B Richardson Side Road
Ottawa ON Canada K2K 0A1
Tel 613.254.7386
Fax 613.254.7388
sales@wi-sys.com
www.wi-sys.com